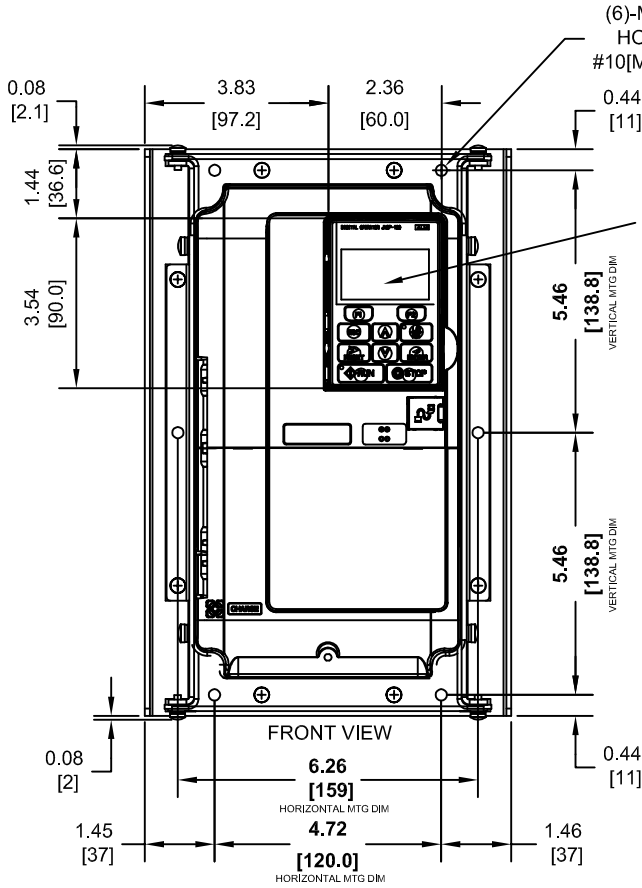
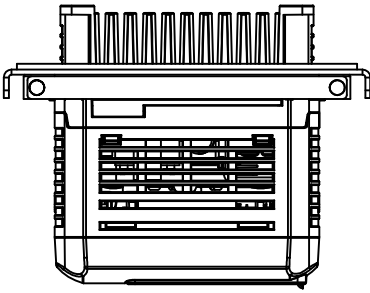


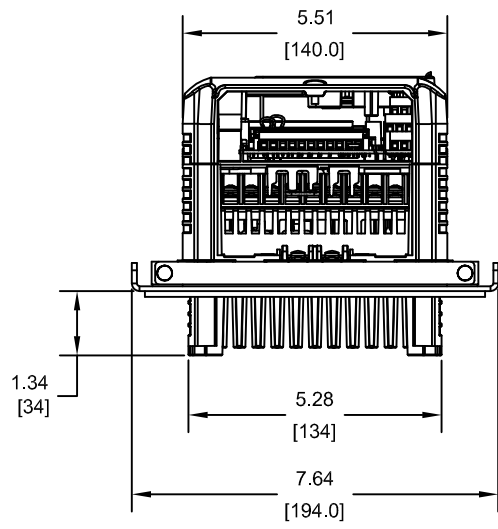
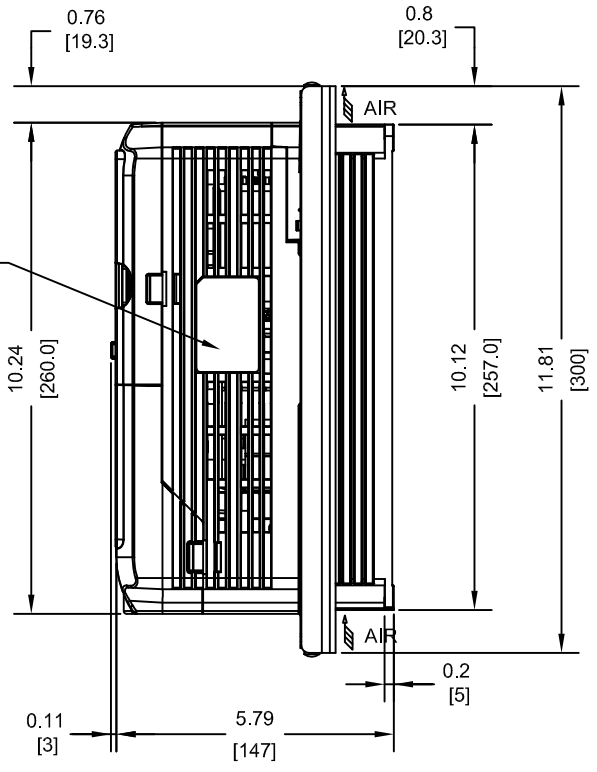
NOTE:  
MAXIMUM SURROUNDING AIR TEMPERATURE RATING IS 122F(50C).



(6)-MOUNTING HOLES FOR #10[M5] SCREWS

DIGITAL OPERATOR

NAMEPLATE



MODEL # CIMR-AU	VOLTAGE THREE-PHASE (VAC)	OUTPUT CURRENT (A)		WEIGHT LBS (Kg)	HEAT LOSS (W)					
					ND (Fc=2kHz)			HD (Fc=8kHz)		
		ND	HD		INT	EXT	TOT	INT	EXT	TOT
2A0004UXX	200/240	3.5	3.2	7.3 (3.3)	47.3	18.4	65.7	44.4	14.8	59.2
2A0006UXX		6.0	5.0	7.3 (3.3)	51.4	30.8	82.2	47.6	24.1	71.7
2A0008UXX		8.0	6.9	7.5 (3.4)	52.1	42.9	95.0	48.9	34.8	83.7
2A0010UXX		9.6	8.0	7.5 (3.4)	58.4	56.7	115.1	52.1	42.9	95.0
2A0012UXX		12.0	11.0	7.5 (3.4)	64.4	76.9	141.3	57.9	63.7	121.6
4A0002UXX	380/480	2.1	1.8	7.5 (3.4)	47.9	19.8	67.7	44.7	15.9	60.6
4A0004UXX		4.1	3.4	7.5 (3.4)	49.2	32.1	81.3	45.7	24.6	70.3
4A0005UXX		5.4	4.8	7.5 (3.4)	52.8	44.6	97.4	49.4	37.4	86.8
5A0003UXX	500/600	2.7	1.7	7.5 (3.4)	23.3	21.5	44.8	19.8	28.9	48.7
5A0004UXX		3.9	3.5	7.5 (3.4)	33.6	27.5	61.1	27.6	54.3	81.9

NOTE:  
XX DENOTES AA-ZZ

INT=INTERNAL COMPONENTS  
EXT=EXTERNAL HEATSINK  
TOT=TOTAL

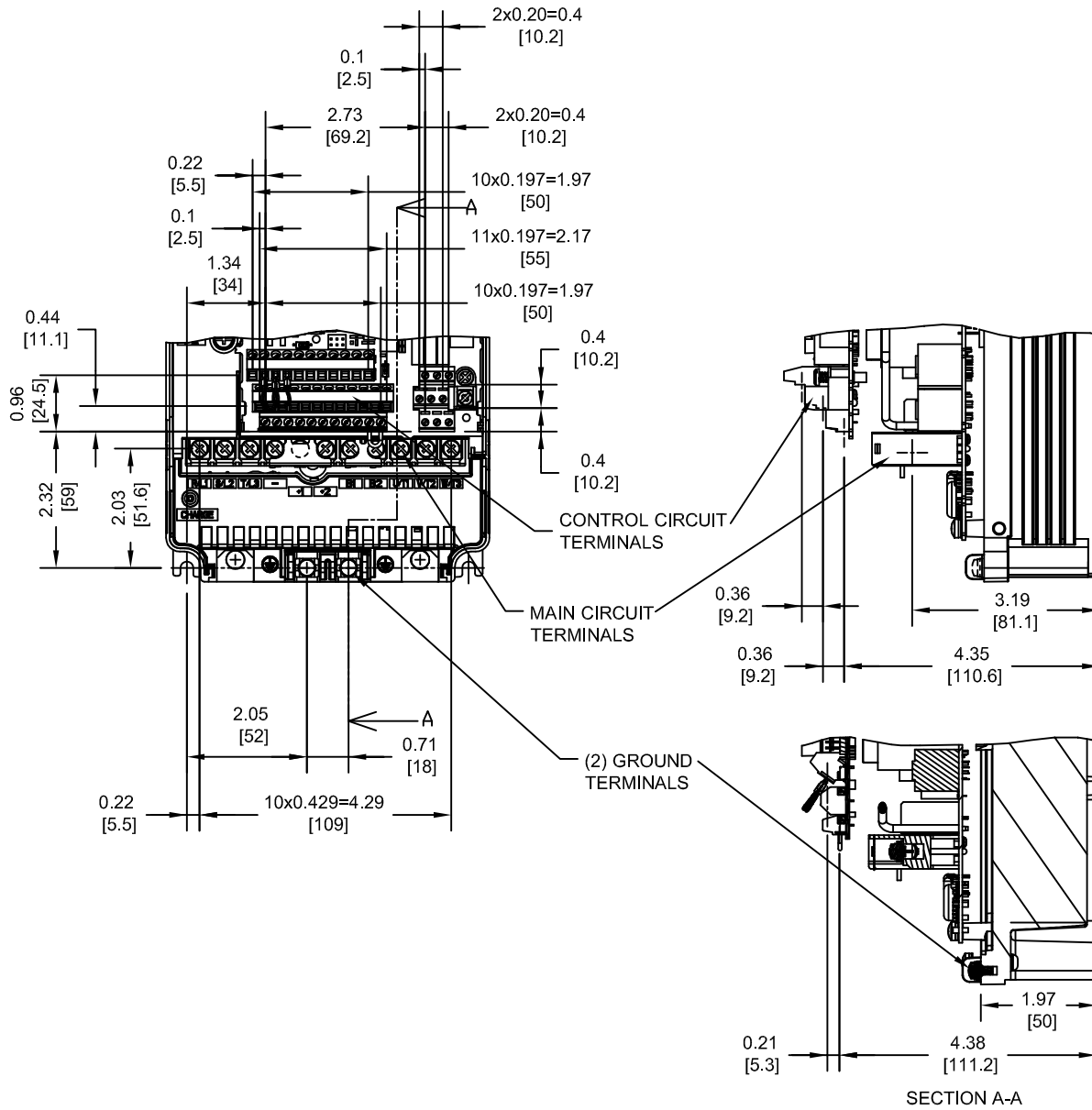
FOR ADDITIONAL DETAILS AND SPECIFICATIONS, CONSULT MANUAL

TOLERANCES / REFERENCES:  
  
UNITS: IN [mm]  
SCALE: 1:4

**YASKAWA**  
*THIS DOCUMENT AND INFORMATION CONTAINED IN IT ARE CONFIDENTIAL, AND CANNOT BE COPIED OR DISCLOSED IN WHOLE OR IN PART WITHOUT THE EXPRESS WRITTEN CONSENT OF YASKAWA AMERICA, INC.*

DRAWN: J. MATTAS	DATE 4-27-11	TITLE: A1000 DIMENSION DRAWING
CHECKED: J. PIOTROWSKI	DATE 1-24-12	FRAME SIZE 1
TECH: J. BORJA	DATE 1-3-12	DESIGNED FOR IP54 ENCLOSURES
APPROVED: J. CAIRO	DATE 4-2-12	2A0004 - 12, 4A0002 - 05, 5A0003 - 04
ORIGINAL DESIGN: -	DATE -	SIZE: A REVISION: R00 PAGE: 1 of 3
DRAWING #: <b>DD.A1K.FR1.FLNG</b>		

TERMINAL AND WIRING DETAILS (SCALE 1:3)



TERMINAL AND WIRE SPECIFICATIONS FOR MAIN CIRCUIT AND GROUND

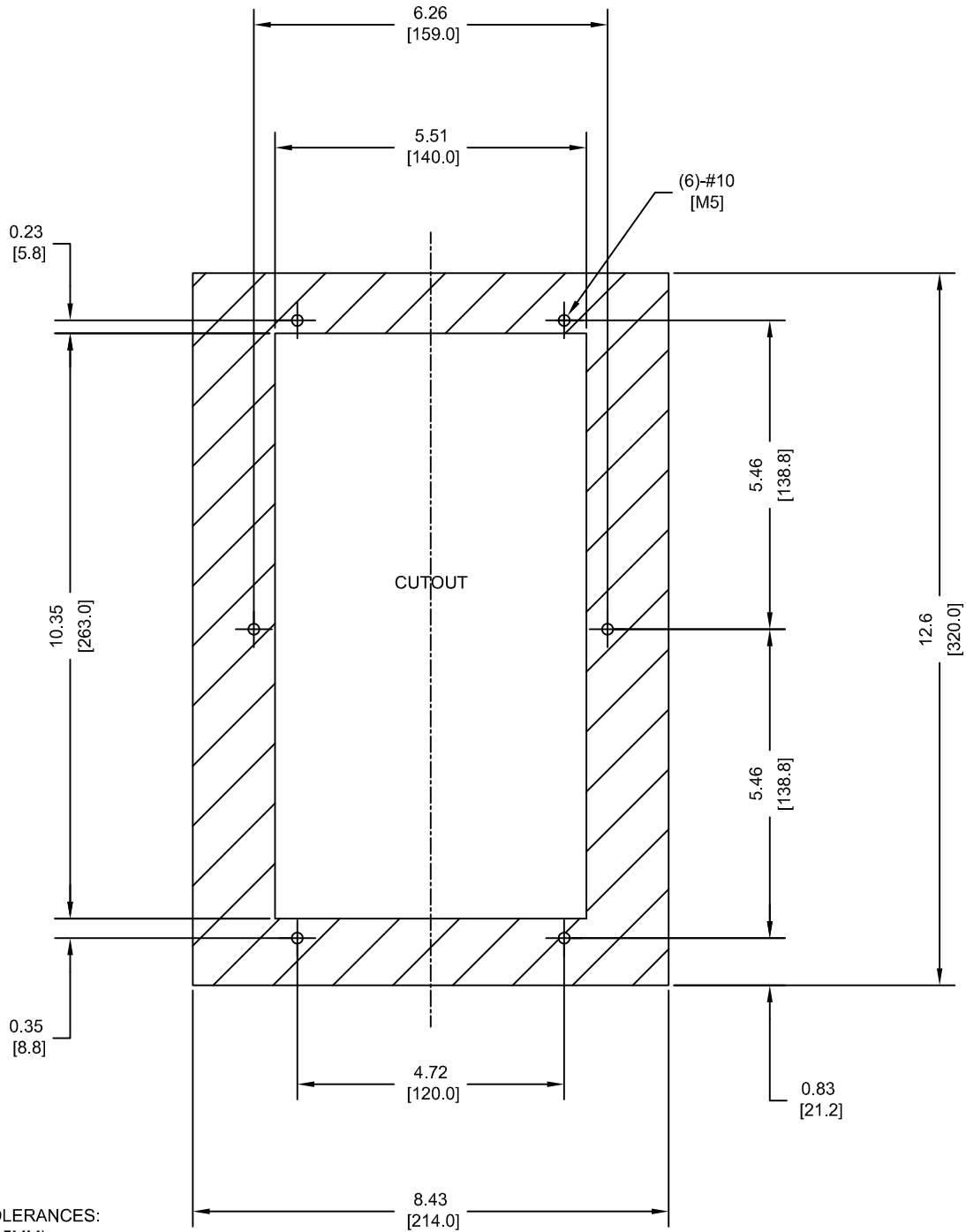
MODEL # CIMR-AU	TERMINAL SYMBOL	TERMINAL SCREW	CLAMPING TORQUE lb.in. (N.m.)	WIRE RANGE AWG(mm <sup>2</sup> )
2A0004 2A0006 2A0008 2A0010 2A0012 4A0002 4A0004 4A0005 5A0003 5A0004	R/L1, S/L2, T/L3, ⊕, ⊕1, ⊕2, B1, B2, U/T1, V/T2, W/T3, ⊕	M4	10.6 TO 13.2 (1.2 TO 1.5)	14-10 (2.5-6.0)

NOTE: REFER TO APPLICABLE CODES FOR PROPER WIRE TYPE AND SIZE

FOR ADDITIONAL DETAILS AND SPECIFICATIONS, CONSULT MANUAL


TOLERANCES / REFERENCES:		<p>THIS DOCUMENT AND INFORMATION CONTAINED IN IT ARE CONFIDENTIAL, AND CANNOT BE COPIED OR DISCLOSED IN WHOLE OR IN PART WITHOUT THE EXPRESS WRITTEN CONSENT OF YASKAWA AMERICA, INC.</p>	DRAWN: J. MATTAS DATE: 4-27-11	TITLE: A1000 DIMENSION DRAWING FRAME SIZE 1 DESIGNED FOR IP54 ENCLOSURES 2A0004 - 12, 4A0002 - 05, 5A0003 - 04	
UNITS: IN [mm]	SCALE: BY VIEW		CHECKED: J. PIOTROWSKI DATE: 1-24-12	TECH: J. BORJA DATE: 1-3-12	SIZE: A
		APPROVED: J. CAIRO DATE: 4-2-12	ORIGINAL DESIGN: -	DATE: -	PAGE: 2 of 3
		DRAWING #: <b>DD.A1K.FR1.FLNG</b>			

PANEL CUTOUT FOR EXTERNAL HEATSINK  
MOUNTING CONFIGURATION (SCALE 1:3)



- NOTES:**
- CUTOUT TOLERANCES:  
+/- 0.02IN (0.5MM)
  - EXPOSED HEATSINK  
RECOMMENDED CLEARANCE  
D=1.97" MINUS PANEL THICKNESS

FOR ADDITIONAL DETAILS AND SPECIFICATIONS, CONSULT MANUAL

TOLERANCES / REFERENCES:		 THIS DOCUMENT AND INFORMATION CONTAINED IN IT ARE CONFIDENTIAL, AND CANNOT BE COPIED OR DISCLOSED IN WHOLE OR IN PART WITHOUT THE EXPRESS WRITTEN CONSENT OF YASKAWA AMERICA, INC.	DRAWN: J. MATTAS DATE: 4-27-11	TITLE: A1000 DIMENSION DRAWING FRAME SIZE 1 DESIGNED FOR IP54 ENCLOSURES 2A0004 - 12, 4A0002 - 05, 5A0003 - 04	
UNITS: IN [mm]	SCALE: BY VIEW		CHECKED: J. PIOTROWSKI DATE: 1-24-12	TECH: J. BORJA DATE: 1-3-12	SIZE: A
		APPROVED: J. CAIRO DATE: 4-2-12	ORIGINAL DESIGN: -	DATE: -	PAGE: 3 of 3
		DRAWING #: <b>DD.A1K.FR1.FLNG</b>			